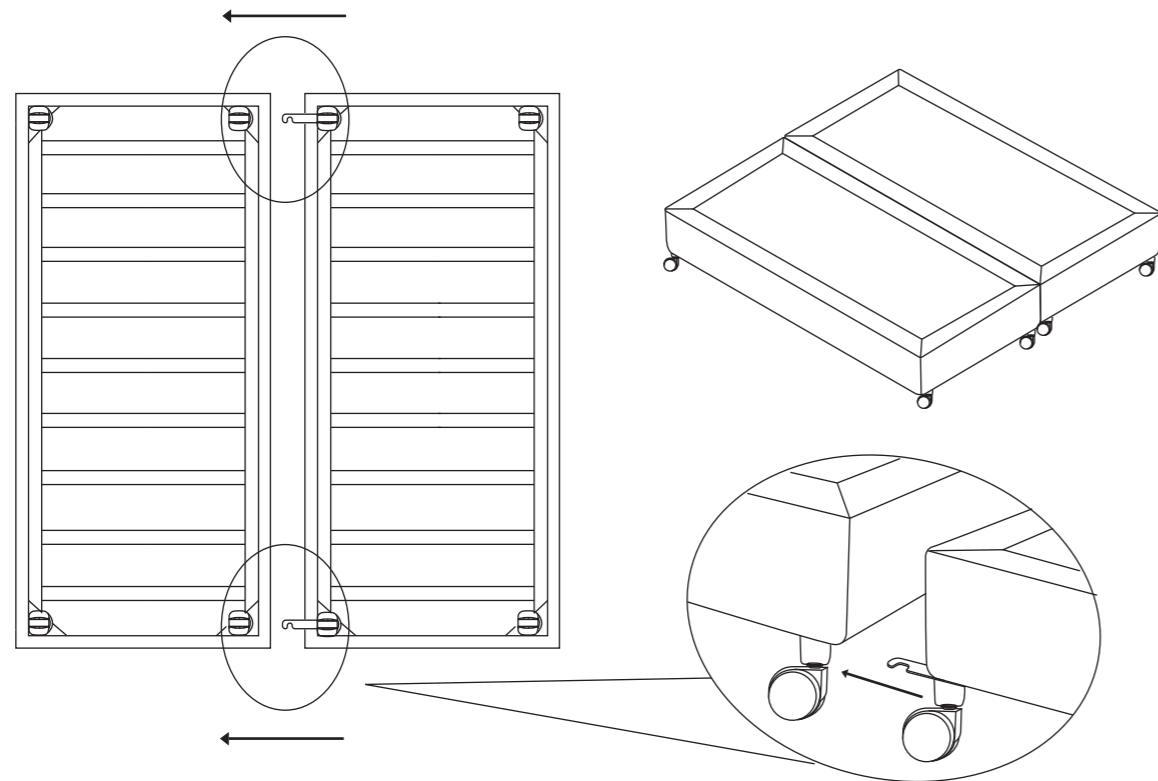


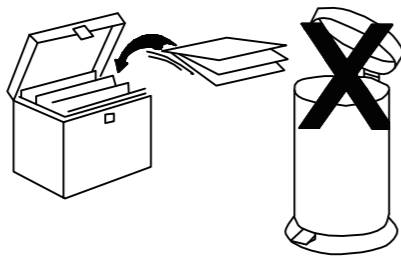
## FIGURE 9

FOR SIZE KING SPLIT , SUPER KING SPLIT ONLY



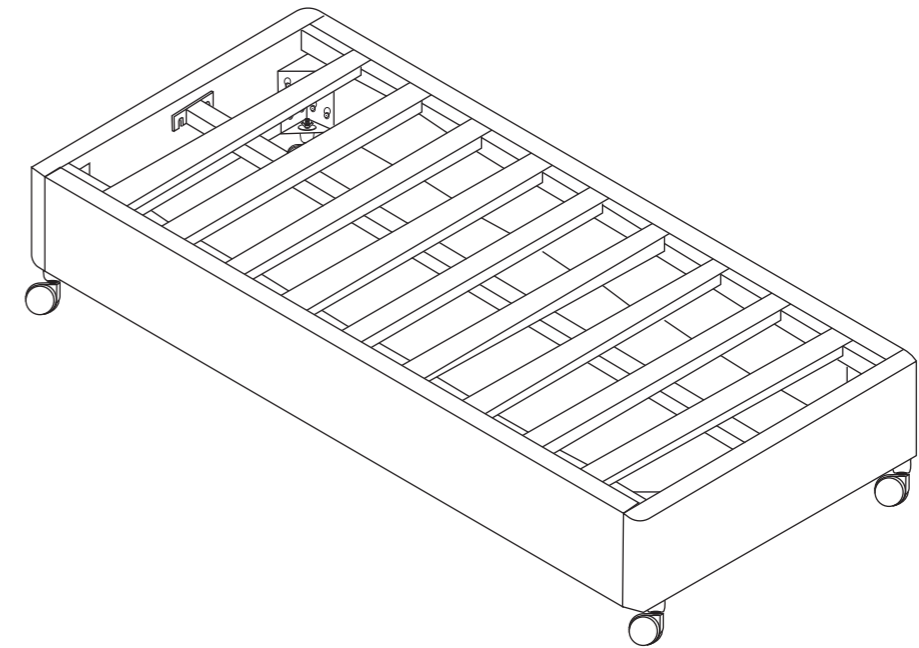
Periodically check to ensure that the components are in their proper position, free from damage. Also, make sure the connectors are tight and secure.

**Keep instructions for future reference**



## Makers MII Bed Base Assembly Instructions

Thank you for purchasing the MAKERS MII BED BASE.  
Please read the instructions carefully to ensure safe operation of the product.



SIZE: SINGLE, LONG SINGLE, KING SINGLE, DOUDLE, QUEEN, KING, SUPER KING, KING SPLIT, SUPER KING SPLIT

COVER: LINEN FABRIC  
COLOUR: BLACK

**PLEASE READ** this sheet prior to assembly to familiarise yourself with the various stages of construction.

Carefully open the pack supplied and check the contents against the parts and fittings check list. Do not destroy any of the packaging until you are certain that you have all the necessary parts for the assembly.

**Please Note:**

If required, steam iron the slip-cover to disguise any fabric creasing.

Slip-cover can be laundered on a cold, delicate wash if soiled.

Keep bed base away from direct sunlight to prevent fading.

All bed base components are replaceable in the event of misuse or damage. Contact [www.vendela.co.nz](http://www.vendela.co.nz)



## Makers MII Bed Base Assembly Instructions

Assembly is easily completed by one person but is quicker with two.

Step 1: Check to make sure you have received all the components shown on the illustration page. (See the next page.)

Step 2: Assemble the bed legs (B) to the metal corner bracket (A) (FIGURE 1, FIGURE 2)  
Put the joining brackets (L) on the bed legs (B) (for King Split and Super King Split beds only)  
Insert the bed leg (B) through the metal bracket (A); Insert the flat washer (C) over the bed leg screw;  
Next insert the spring washer (D) over the flat washer; Next thread the wing nut (E) and tighten against the spring washer to secure the bed leg (B) to the metal bracket.

Step 3: Connect the metal corner brackets (A) at each end of the side rails (G) (FIGURE 3)

Step 4: Connect the side rails (G) with the metal bracket (A) to the headboard and footboard (H) creating the outer bed frame standing on its legs. (FIGURE 4)

Step 5: Attach the middle support bar (I) (King Single, Double, Queen, King, Super King beds only) between the headboard and footboard. (FIGURE 5)

Step 6: Attach the adhesive spacers (F) to the top of the middle support bar (I) where each wooden bed slat will be placed over top. (FIGURE 6)

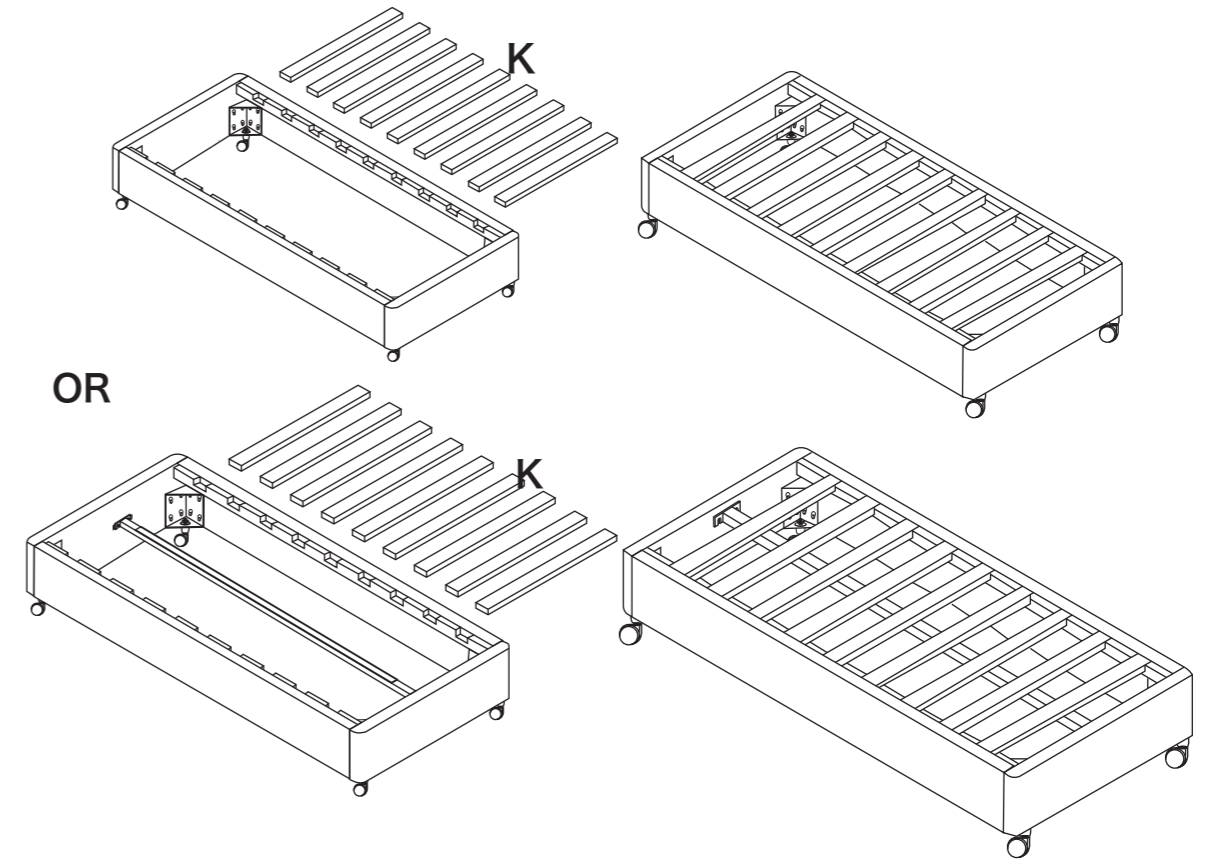
Step 7: Place the wood bed slats (K) (9x or 10x slats) into the side rail slots down the length of the bed base frame pushing in securely. (FIGURE 7)

Step 8: Check all bed frame connections are tight before placing the fabric slip-cover(J)

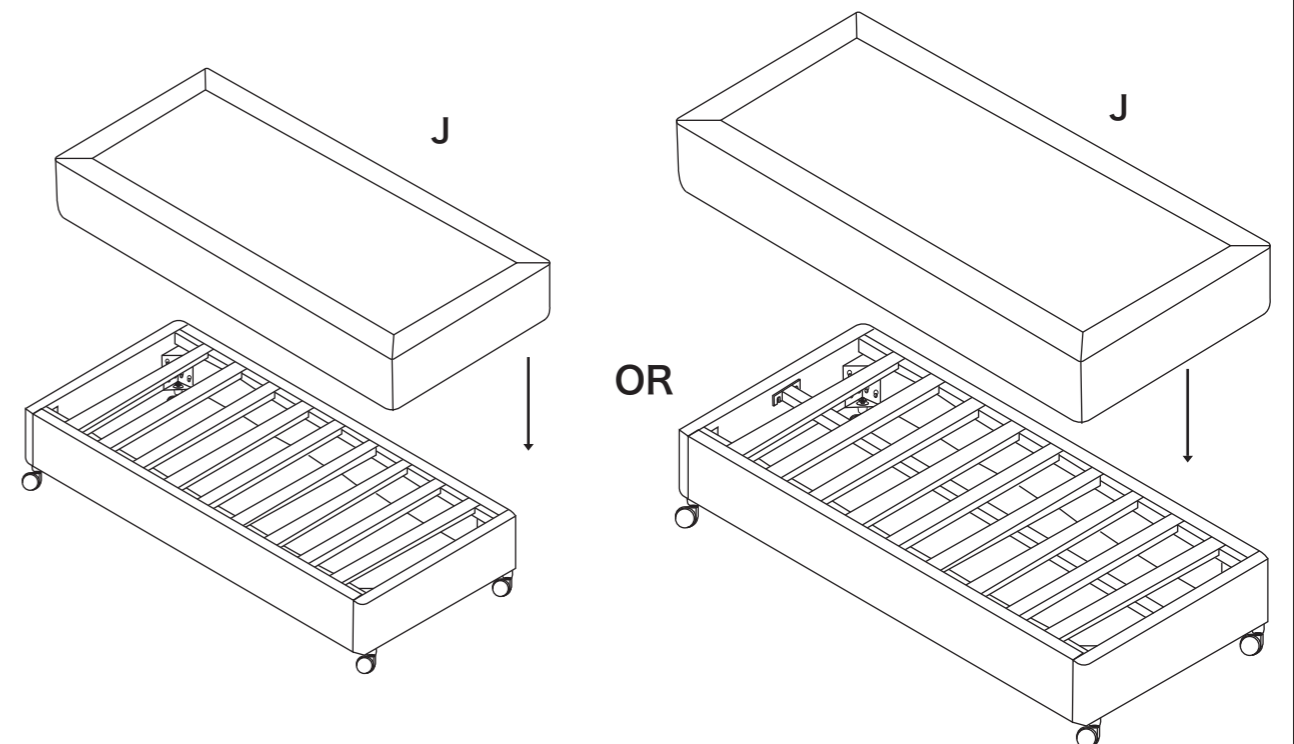
Step 9: Fit the fabric slip-cover(J) over the top of the bed frame covering the slats and pulling it tightly down on the sides of the bed rails tucking the Velcro flaps underneath all of the way around the bed frame securing the slip-cover to the bed frame to create a seamless smooth upholstered looking finish. (FIGURE 8 )

Step 10: For King Split and Super King Split bed bases only.  
Stand both bases upright together against the wall with headboard ends on the floor. Loosen the legs and castors and insert joining brackets(L) provided, then place the bases on the floor and position into place. (FIGURE 9)

### FIGURE 7

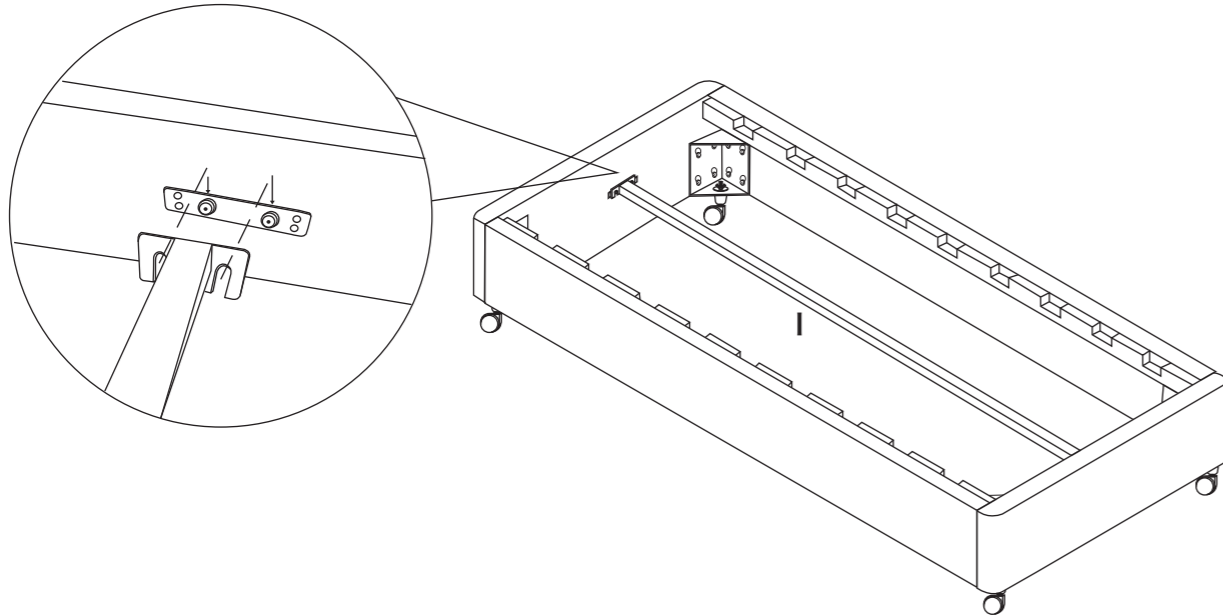


### FIGURE 8



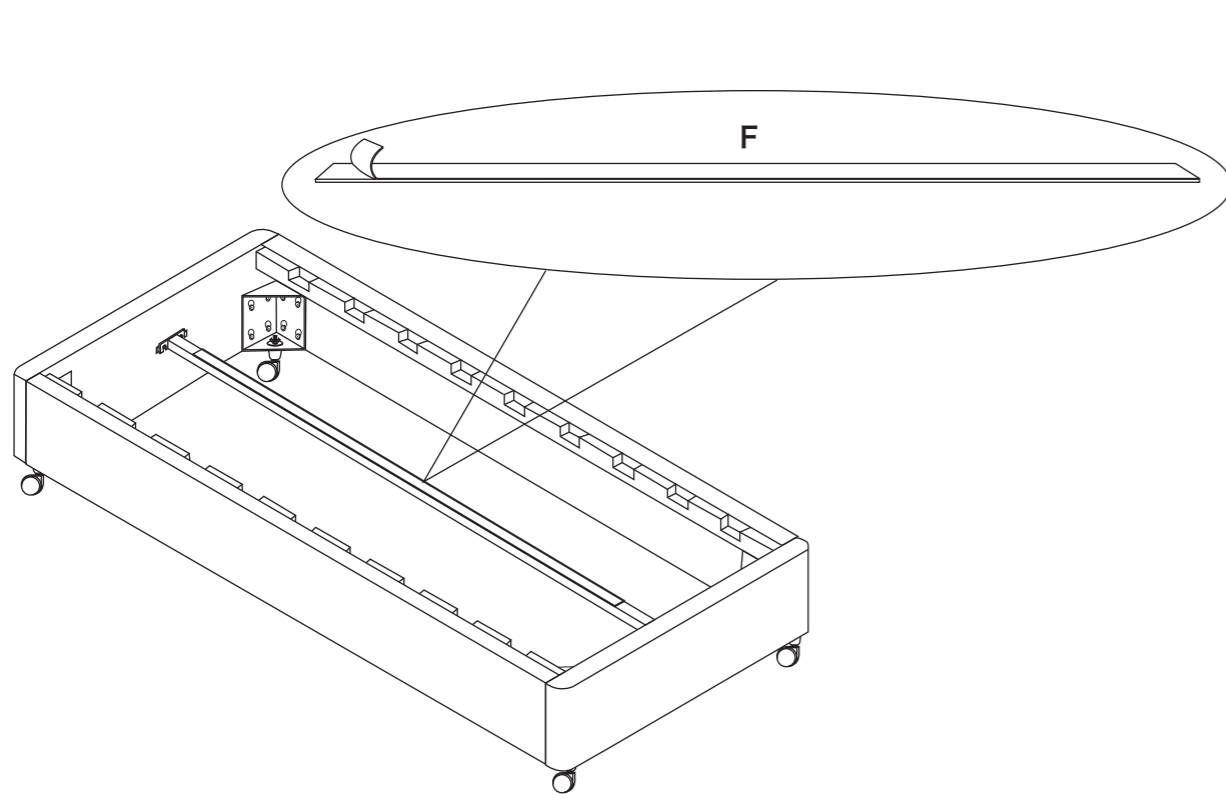
**FIGURE 5**

FOR SIZE KING SINGLE , DOUBLE , QUEEN , KING , SUPER KING ONLY



**FIGURE 6**

FOR SIZE KING SINGLE , DOUBLE , QUEEN , KING , SUPER KING ONLY

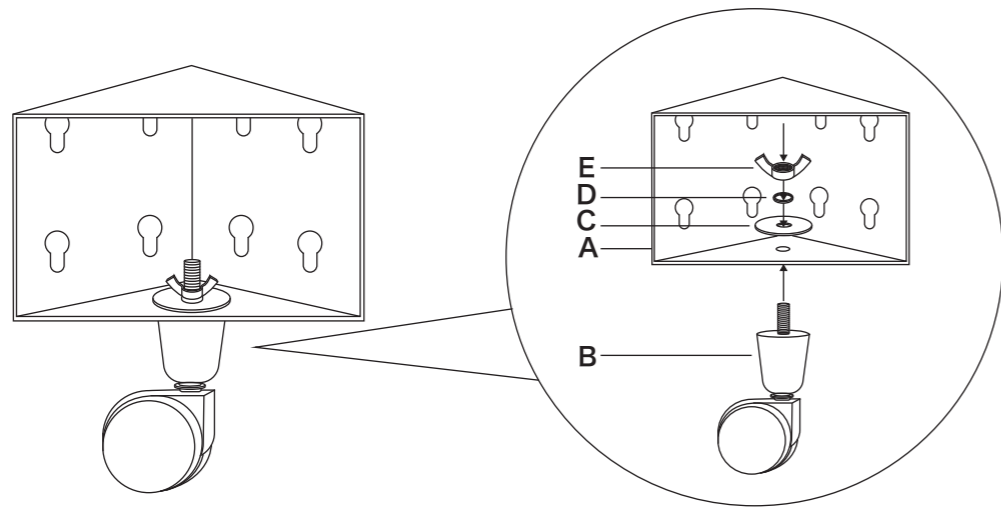


**Component list Illustration**

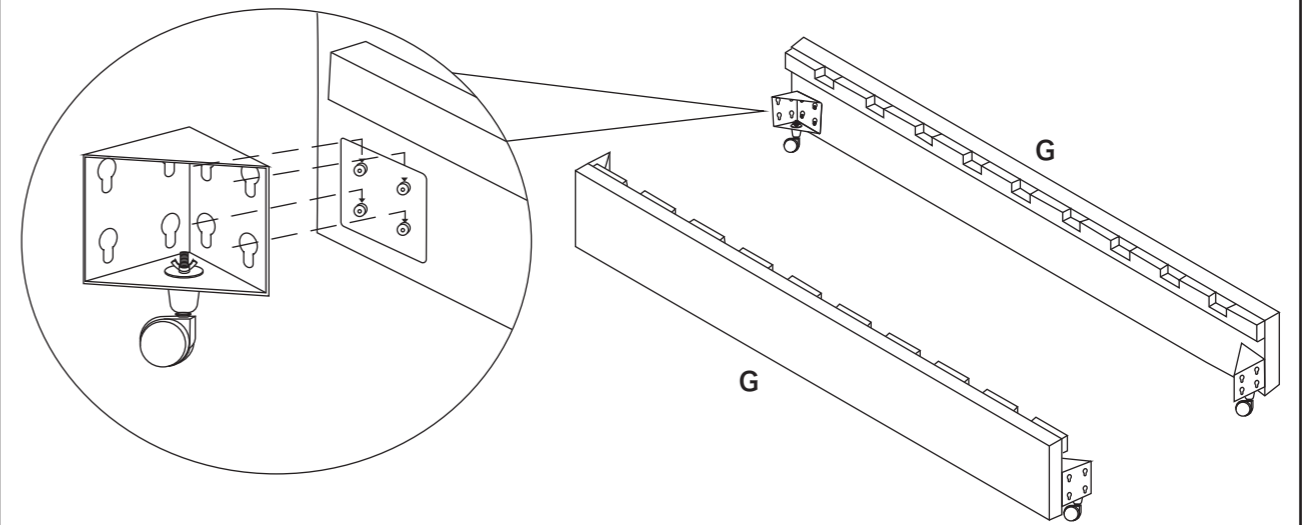
Code	Picture	Name	Single	Long single	King single	Double	Queen	King	Super King	King Split	Super King Split
A		metal corner bracket	4pcs	4pcs	4pcs	4pcs	4pcs	4pcs	4pcs	8pcs	8pcs
B		bed legs	4pcs	4pcs	4pcs	4pcs	4pcs	4pcs	4pcs	8pcs	8pcs
C		flat washer	4pcs	4pcs	4pcs	4pcs	4pcs	4pcs	4pcs	8pcs	8pcs
D		spring washer	4pcs	4pcs	4pcs	4pcs	4pcs	4pcs	4pcs	8pcs	8pcs
E		wing nut	4pcs	4pcs	4pcs	4pcs	4pcs	4pcs	4pcs	8pcs	8pcs
F		adhesive spacers	/	/	1pc	1pc	1pc	1pc	1pc	/	/
G		side rails	2pcs	2pcs	2pcs	2pcs	2pcs	2pcs	2pcs	4pcs	4pcs
H		head /foot board	2pcs	2pcs	2pcs	2pcs	2pcs	2pcs	2pcs	4pcs	4pcs
I		middle support bar	/	/	1pc	1pc	1pc	1pc	1pc	/	/
J		slip-cover	1pc	1pc	1pc	1pc	1pc	1pc	1pc	2pcs	2pcs
K		bed slats	9pcs	10pcs	10pcs	9pcs	10pcs	10pcs	10pcs	20pcs	20pcs
L		joining brackets	/	/	/	/	/	/	/	2pcs	2pcs

Note Single:91\*188cm / Long Single:91.5\*203cm /King Single:107\*203cm /Double:137\*188cm  
Queen:153\*203cm /King:167\*203cm / Super King:183\*203 / King Split:2\*83.5\*203cm /  
Super King Split: 2\*91.5\*203cm

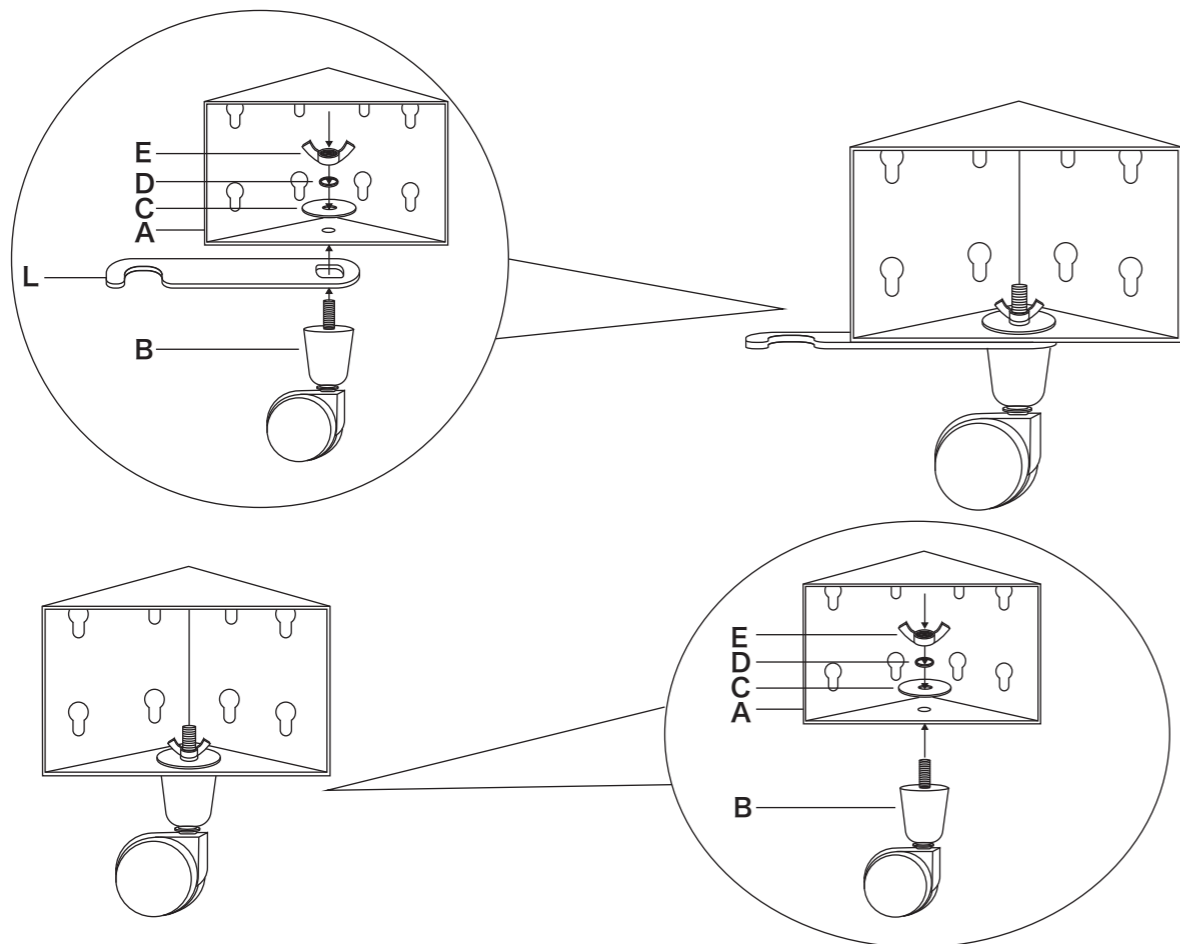
**FIGURE 1**



**FIGURE 3**



**FIGURE 2** FOR SIZE KING SPLIT , SUPER KING SPLIT ONLY



**FIGURE 4**

